

**BCN**<sup>®</sup>

Uninterruptible Power Supply



# ZTY series 1 KVA-30 KVA

## AC stabilized Power Supply



### APPLICATION

For office equipment, testing equipment, medical equipment, industrial automation equipment, household appliance, communication system, etc.

ZTY fully automatic A.C voltage stabilizer consists of contact voltage regulator, sampling control circuit and servo motor when input voltage or load changes, sampling control circuit will sample and amplify the voltage, and the servo motor will rotate in the desired direction, which turns the arm, adjusting voltage until the output voltage is regulated into the rated output voltage.

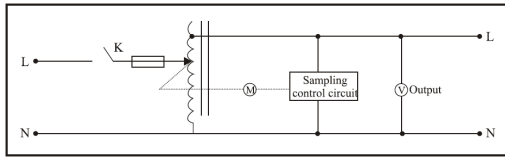
It is of small size, lightweight, less output waveform distortion and reliable performance. To guarantee its quality, foreign advanced technology and main parts are introduced and imported. It is widely used in electrical appliances which need constant voltage power supply, and in the fields of industry production, scientific research and medical hygiene.

### FEATURES

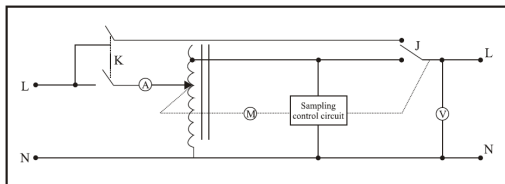
- 1) High quality output voltage : the voltage stabilizer can work without interruption with balanced voltage regulating process and no temporary Beta topic phenomena, high accurate output voltage with  $220V \pm 3\%$
- 2) Wide input voltage range and load compatibility characteristics.
- 3) Over voltage, under voltage and over current protection: It can guarantee the machine safety and effectively protects electric terminals.
- 4) Long working life: the employed high-breaking circuit breaker can reliably protect overload and short circuit, the new developed and high performance carbon brush, which name C1017, considerably prolongs the voltage stabilizer working life.
- 5) Display window: it can display over voltage, under voltage and over current status, so that the user can expediently use the AVR.

# ZTY series 1 KVA-30KVA

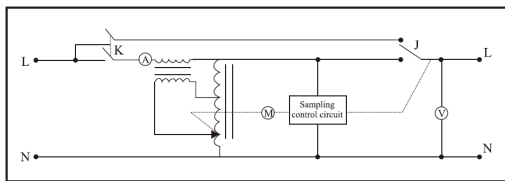
## AC stabilized Power Supply



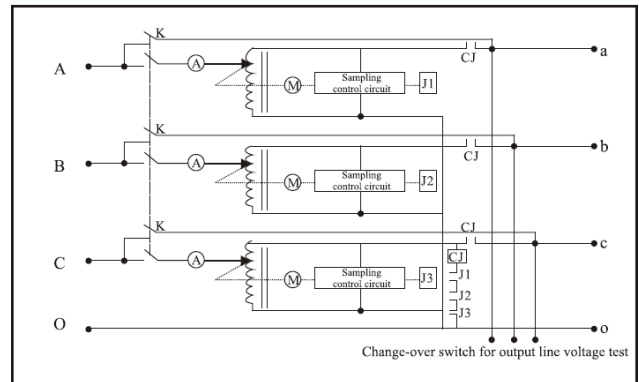
Electronic circuit diagram of single-phase of 1000VA



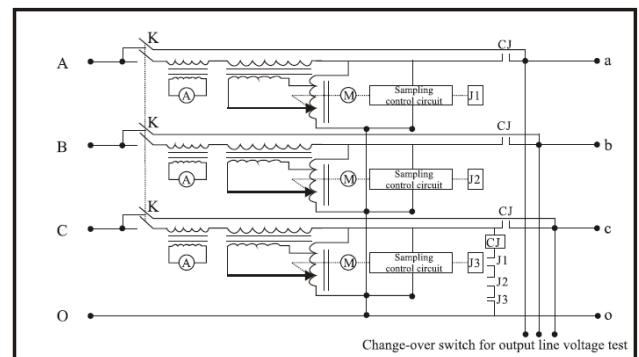
Electronic circuit diagram of single-phase of 2000VA - 3000VA



Electronic circuit diagram of single-phase of 5000VA and above



Electronic circuit diagram of three-phase of 10KVA



Electronic circuit diagram of three-phase of 15KVA and above

## ZTY series 1 KVA-30KVA Specification

Specication	ZTY Single Phase								ZTY Three Phase				
	1KVA	2KVA	3KVA	5KVA	10KVA	15KVA	20KVA	30KVA	10KVA	15KVA	20KVA	30KVA	45KVA
VA Rating	1KVA	2KVA	3KVA	5KVA	10KVA	15KVA	20KVA	30KVA	10KVA	15KVA	20KVA	30KVA	45KVA
Input													
Phase	Single Phase + N + GND								Three Phase + N + GND				
Voltage Range	160Vac - 250Vac								Line Voltage 277Vac - 430Vac				
Output													
Voltage Range	220V								380V				
Voltage Precision	$\leq \pm 3\%$												
Frequency	50 Hz												
Over-voltage Protection	Output Phase Voltage $246V \pm 4V$												
Low-voltage Protection	Output Phase Voltage $184V \pm 4V$												
Efficiency	$\geq 90\%$												
Other													
Display Model	LED Direction Light , Finger Voltage Diagram												
Input / Output Device	Plug	Terminal											
Waveform Distortion	No afixation Waveform Distortion												
Response Time	$\pm 10\%$ Varies < 1.5s												
Insulation Resistance	$\geq 2M \Omega$												
Anti-electricity Intension	Low Frequency Sine Voltage 1500V Take 1 minute No Rout and Camber phenomena												
Ambient Temperature	$(-5^{\circ}C \sim +40^{\circ}C)$												
Relative Humidity	$\geq 95\%$												
Working	Continue												
Net Weight (kg)	3.5	9.5	12	22.5	34	57	62	126	48	75	109	116	168
Gross Weight (kg)	4	10.5	13	24	36	62	67	147	53	85	124	131	197
ZTY Single Phase	1KVA	2KVA	3KVA	5KVA	10KVA	15KVA	20KVA	30KVA					
Dimension (D×W×H)mm	220×210×160	270×240×200	300×220×250	300×240×430	300×250×450	410×330×650		530×430×1020					
Packing (D×W×H)mm	280×500×400	340×300×500	620×380×350	310×390×480	400×370×560	520×450×760		660×560×1120					
ZTY Three Phase	10KVA	15KVA	20KVA	30KVA	45KVA								
Dimension (D×W×H)mm	350×330×780	430×380×730	430×510×910		650×430×950								
Packing (D×W×H)mm	480×450×900	550×510×900	640×550×1060		780×550×1100								