

MEMO RT II

1KVA / 2KVA / 3KVA

Rack/Tower True on-line UPS

High output power factor 0.8/0.9 (optional)

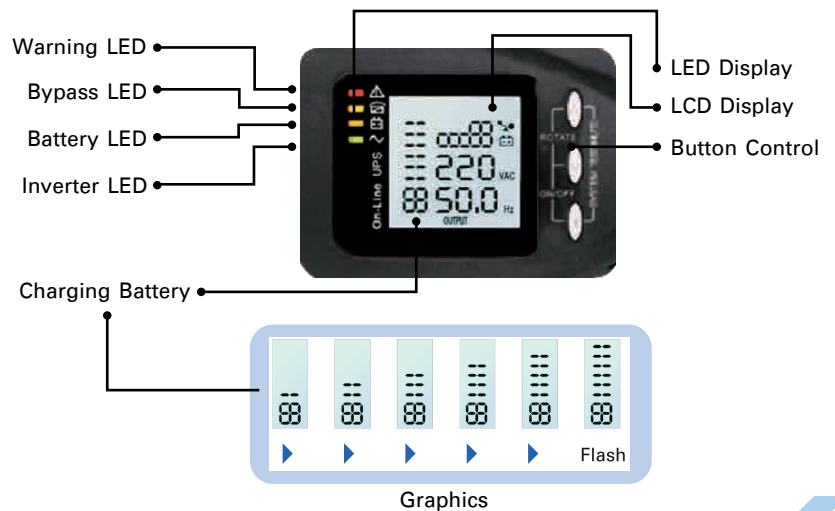


Highlights

- Rack/Tower Convertible
- Two directions LCD display
- Online-Double conversion (PFC)
- Full digital control
- Output power factor: 0.8/0.9 (optional)
- Economic operation mode (ECO)
- Wide input voltage range
- Self-testing when UPS startup
- Cold start
- Multifunctional protection
- Output bypass can be set
- Input L and N reversed alarm function
- Optimized battery configuration(1k:24Vdc, 2k:48Vdc, 3k:72Vdc)
- Charger can be extended
- Diverse options of accessories, intelligent management
- Intelligent slot optional: SNMP/Dry contact card

The Memo RT II convertible double conversion online UPS series, featured with 3-level charging method, high input & output power factors, up to 90% conversion efficiency, superior input voltage window for energy saving, estimated remaining time and ECO mode, is an ideal solution to your computer center, network center, communication system, automatic control system or other critical systems, which is demanding a thorough protection.

Display Panel



Your choice of power protection

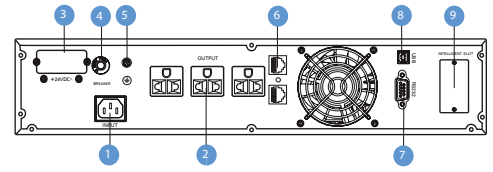
MEMO RT II 1KVA / 2KVA / 3KVA

High output power factor 0.8/0.9 (optional)

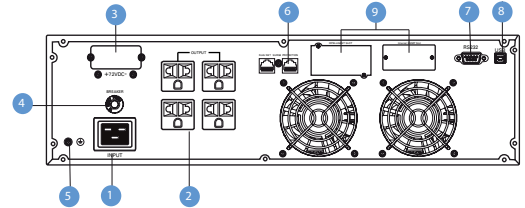
Rear panel view

- | | |
|---|---------------------------------------|
| 1. AC input | 5. Ground connector |
| 2. Output outlet | 6. Network/Fax/Modem surge protection |
| 3. External battery connector
(only available for long-run models) | 7. RS-232 communication port |
| 4. Input circuit breaker | 8. USB communication port |
| | 9. SNMP intelligent slot |

Rear panel view 1KVA



Rear panel view 2 - 3KVA



MEMO RT II		RT II 1 KVA	RT II 2KVA	RT II 3KVA	
Capacity (VA/W)	Standard	1000VA/800W	2000VA/1600W	3000VA/2400W	
	Optional	1000VA/900W	2000VA/1800W	3000VA/2700W	
Input	Phase	Single phase & Ground			
	Rated Voltage	200/208/220/230/240VAC			
	Voltage Range	110 - 300Vac at 60% load, 160-300Vac at 100% load			
	Frequency Range	45-55Hz/55-65Hz(auto detect)			
	Power factor	>0.99			
	Current Harmonic (THD)	<3-4% (100% Non-Linear Load)			
Output	Phase	Single phase & Ground			
	Rated Voltage	220VAC(200/208/220/230/240VAC : selectable)			
	Power Factor	0.8/0.9 (optional)			
	Voltage Regulation	±1%			
	Frequency	Utility Mode	50Hz or 60Hz(Synchronized to Mains)		
		Battery Mode	50/60HZ+0.1HZ		
Crest Factor	3:1				
THDi	≤3% (100% linear load); ≤5% (100% non linear load)				
Waveform	Pure Sinewave				
Efficiency	AC Mode (full load)	up to 90%			
	Battery Mode (full load)	>85%			
	ECO Mode (full load)	>94%			
Battery	Voltage	24Vdc	48Vdc	72Vdc	
	Capacity (standard unit)	12V7AH or 12V/9AH depend on Customer			
	Backup Time	Full load ≥4 minutes; Estimated remaining time displayed on the LCD			
	Recharge time to 90%	5 hours			
	Charging Current	1.0A			
	Battery Socket	Anderson like PowerPole Modular Connectors			
Transfer Time	Utility to Battery: 0ms; Utility to bypass< 4ms				
	Hold Whole System				
Protection	Short Circuit	Hold Whole System			
	Overheat	Line Mode: Switch to Bypass; Battery Mode: shut down UPS immediately			
	Battery Low	Alarm and Switch off			
	Self-diagnostics	Upon Power On and Software Control			
Alarms	Battery	Advanced Battery Management			
	Audible & Visual	Line Failure, Battery Low, Overload, System Fault			
Display	Status LED & LCD	Load/Battery/Input/Output/Operating Mode Information			
	Reading On the LCD	Load level/Battery level/AC mode/Battery mode/Bypass mode and Fault indicators			
Physical	Dimension(WxHxD)mm	440x86.5x380	440x131x520		
	Weight (Kg)	12	21.5	26	
	External Battery Connection	Anderson like PowerPole Modular Connectors			
Communication Interface	Smart RS232/USB Port	Supports Windows Family, Linux, FreeDSB and Mac			
	Communication Slot	SNMP Card (independent to RS232)			
	RJ45	Built-in Power Surge, Lightning Protection Device			
Environment	Operating Temperature	0°C-40°C			
	Storage Temperature	-25°C~+55°C			
	Humidity	0~95% non condensing			
	Altitude	< 1500m.(derating while > 1500m)			
	Noise	<50dB (at 1 meter)			



- All specifications subject to change without notice.
- Custom-made specifications are acceptable.
- Manufactured by factory with ISO 9001, ISO 14001, OHSAS 18001, CE, STANDARD