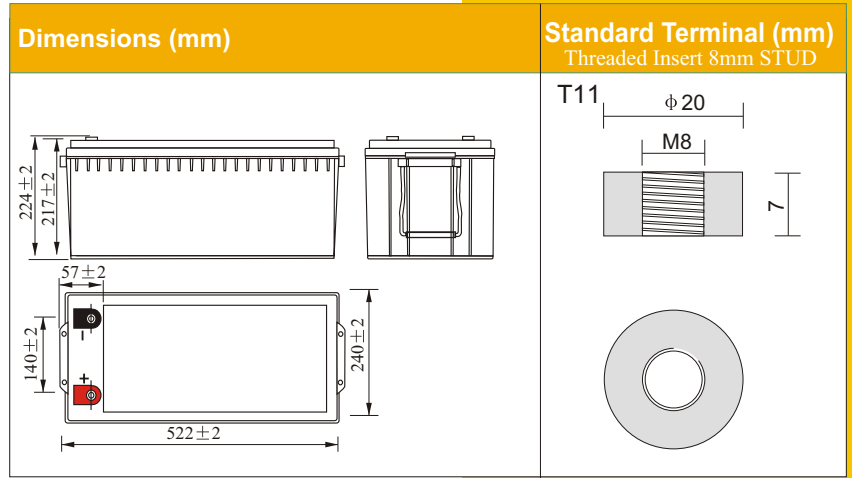
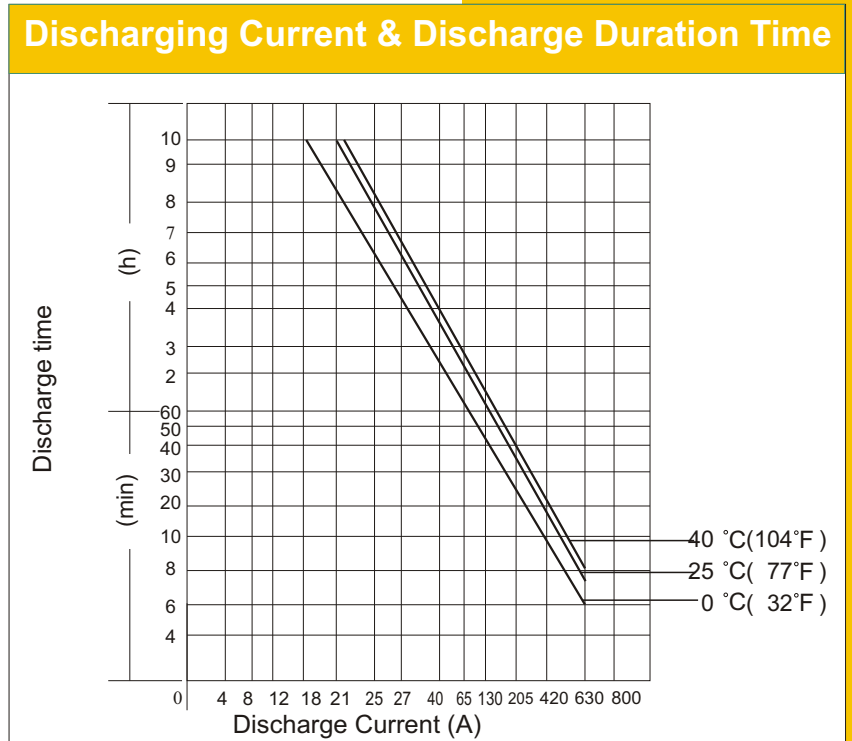




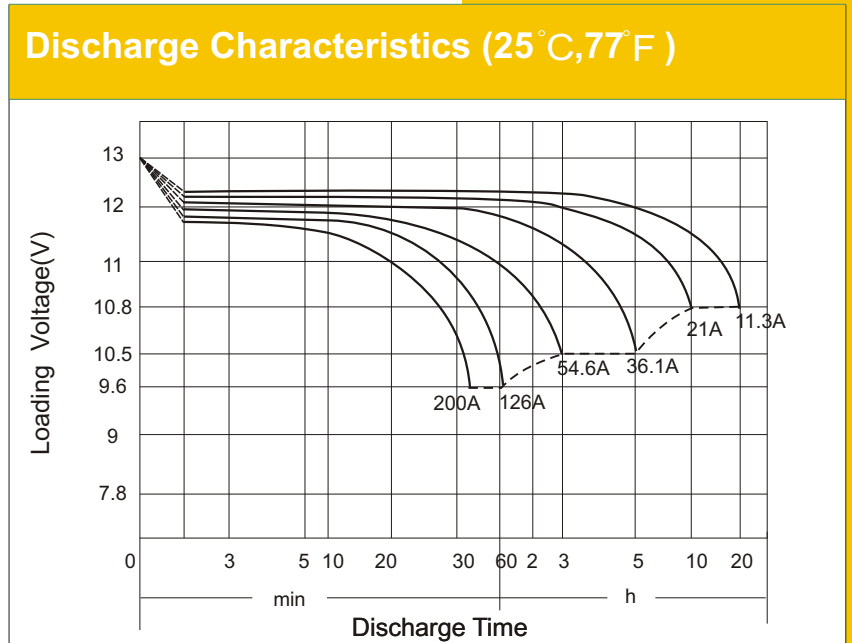
# DJM12200(12V200AH)



PHYSICAL SPECIFICATION		
Nominal Voltage		12V
Nominal Capacity (10HR)		210AH
Dimension	Length	522 ± 3mm (20.55 inches)
	Width	240 ± 2mm (9.45 inches)
	Container Height	218 ± 2mm (8.58 inches)
	Total Height (with Cover)	224 ± 2mm (8.81 inches)
Weight		Approx 64kg (141.2lbs)
Standard Terminal		Threaded Insert 11mm STUD



ELECTRICAL SPECIFICATION					
Rated Capacity	20 hour rate (11.3 A)	226.0 AH	Constant-Voltage Charge	Cycle	Initial Charging Current less than 60A. Voltage 14.4V~15.0V at 25°C (77°F) Temp. Coefficient -30mV/°C
	10 hour rate (21.0A)	210.0 AH			
	5 hour rate (36.1A)	180.5AH			
	3 hour rate (54.6A)	163.8AH			
	1 hour rate (126.0A)	126.0AH			
Capacity affected by Temperature	40°C (104°F)	103%	Standby	No limit on Initial Charging Current Voltage 13.5V~13.8V at 25°C (77°F) Temp. Coefficient -20mV/°C	
	25°C (77°F)	100%			
	0°C (32°F)	86%			
Internal Resistance	Fully charged battery (25°C, 77°F) 2.8mΩ				



Constant Current (Amp) and Constant Power (Watt/Cell) Discharge Table												
Final voltage	Time	Discharge Time (Minute) to final voltage /cell										
		10	20	30	60	120	180	240	300	360	480	600
1.80V	A	374	246	201	118	68.8	51.8	41.1	35.2	31.0	24.9	21.0
	25°C W	682	455	378	227	133	100	79.8	68.7	60.7	49.5	41.9
1.75V	A	411	264	208	124	71.3	54.6	42.0	36.1	31.9	26.1	21.2
	25°C W	743	485	386	236	137	109	83.8	72.0	63.8	51.3	42.3
1.60V	A	515	305	242	137	78.8	60.3	46.7	40.0	34.0	27.2	22.3
	25°C W	892	561	456	255	150	116	89.8	77.1	65.9	53.1	43.9
1.80V	A	319	210	171	101	58.6	44.1	35.0	30.0	26.4	21.2	17.9
	5°C W	581	387	322	194	113	85.5	68.0	58.5	51.7	42.2	35.7
1.75V	A	350	225	178	105	60.8	46.5	35.8	30.8	27.2	22.3	18.1
	5°C W	633	413	329	201	117	92.7	69.3	61.4	53.1	43.7	36.1
1.60V	A	447	268	206	116	67.1	51.4	39.8	34.1	29.0	23.2	19.0
	5°C W	760	478	388	217	128	98.6	76.5	65.6	56.1	45.2	37.4